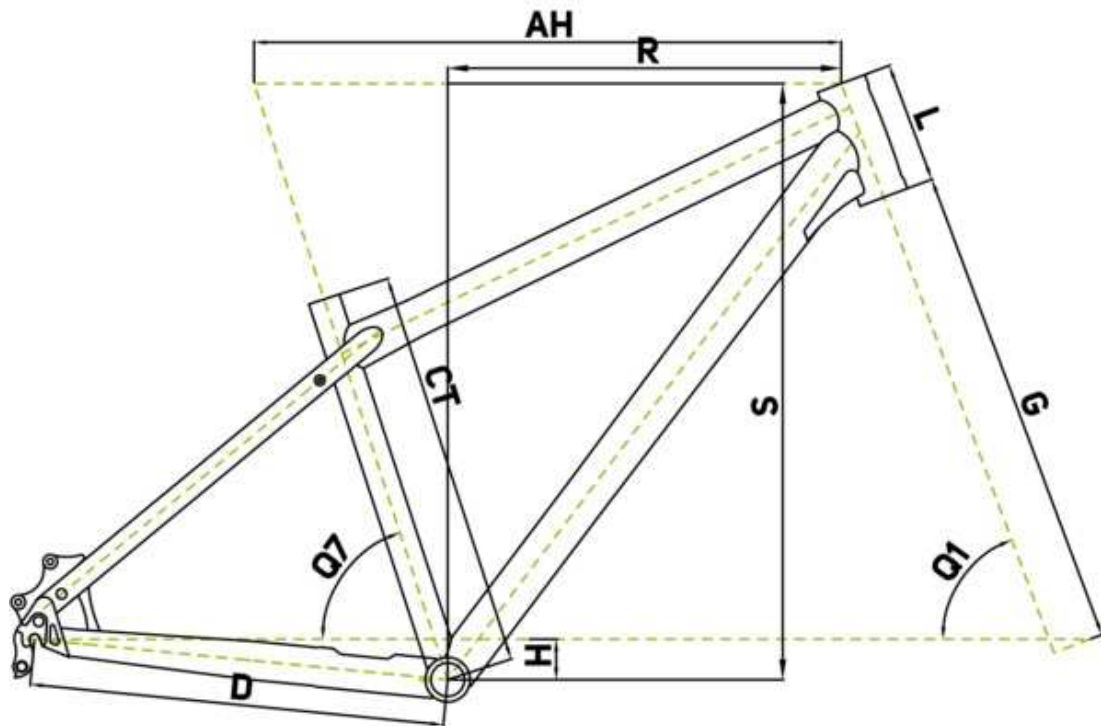


## Геометрия рам Merida Hardy 4/5/6



FRAME SIZES	S	M	L
TOP TUBE (AH)	550	580	610
SEAT TUBE (CT)	335	395	455
CHAIN STAYS (D)	415	415	415
HEAD TUBE ANGLE (Q1)	69.5	69.5	69.5
SEAT TUBE ANGLE (Q7)	72	72	72
BOTTOM BRACKET DROP (H)	40	40	40
HEAD TUBE LENGTH (L)	120	120	120
FORK LENGTH (G)	480	480	480
REACH (R)	359	389	419
STACK (S)	589	589	589